

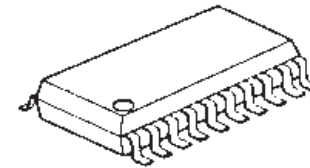
NJM2537

FM IF for Pager

■ GENERAL DESCRIPTION

The NJM2537 is a low power FM IF IC for pagers. It is capable of designing dual conversion pager system because of including a mixer circuit. Built-in RSSI is useful to design AGC circuit.

■ PACKAGE OUTLINE

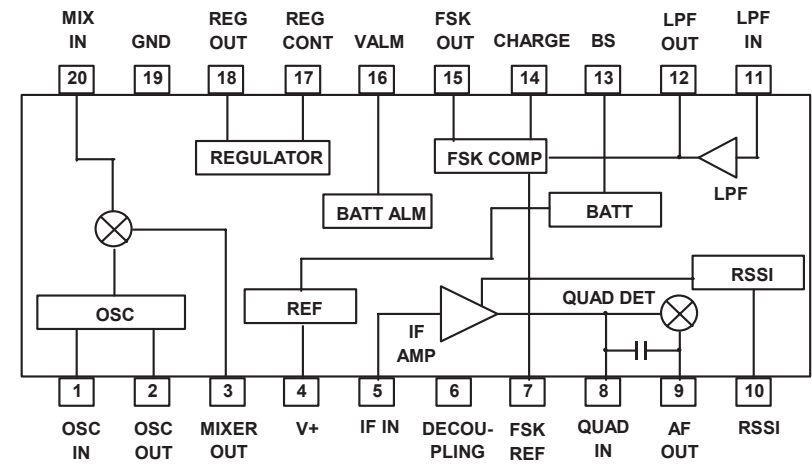


NJM2537V

■ FEATURES

- Low Operating Voltage 1.1V to 4.0V
- Low Operating current 1.2mA typ. at V⁺=1.4V
- Operating Frequency 10 to 50MHz
- RSSI, FSK Wave Shaping, Battery Check Alarm
- Bipolar Technology
- Package Outline SSOP20

■ BLOCK DIAGRAM



New Japan Radio Co., Ltd.