

Under  
Development

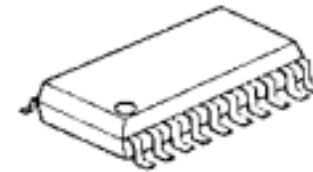
# NJM2551

## 100MHz Input Mixer & 450kHz FM/AM IF Demodulator IC

### ■ GENERAL DESCRIPTION

The NJM2551 is a FM IF demodulator IC with 450MHz (standard) IF input, which operates from 1.8V supply. It includes an oscillator, mixer, limiting amplifier, and FM/AM detectors.

### ■ PACKAGE OUTLINE

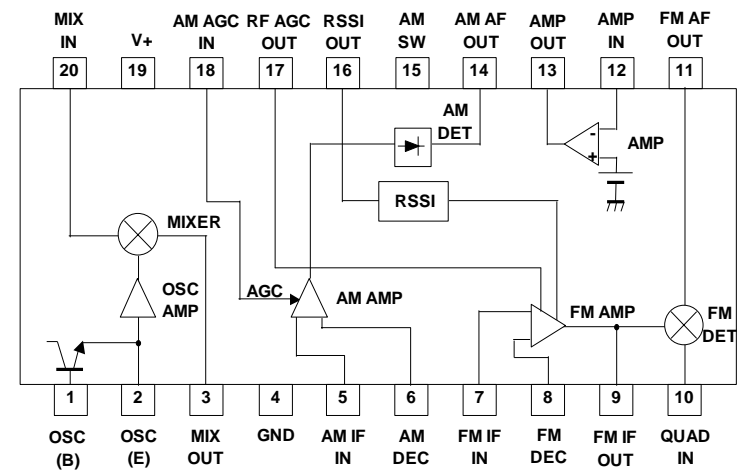


NJM2551V

### ■ FEATURES

- Low Operating Voltage 1.8V to 9.0V
- Low Operating Current FM 2.5mA at V<sup>+</sup>=2V  
AM 4.0mA at V<sup>+</sup>=2V
- Operating Frequency Up to 100MHz (reference value)
- IF Input Frequency 450kHz (standard)
- Bipolar Technology
- Package Outline SSOP20

### ■ BLOCK DIAGRAM



*New Japan Radio Co., Ltd.*