

NJM2590

455kHz FM IF Demodulator IC

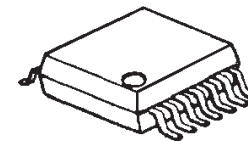
■ GENERAL DESCRIPTION

The NJM2590 is a low current FM IF demodulator IC with 455kHz (standard) IF input, which operates from 1.6V supply. NJM2590 contains the minimum functions required to FM IF demodulator, that is, IF amplifier, quadrature detector, active filter, FSK comparator, RSSI, and RSSI comparator. It offers unmatched design flexibility.

■ FEATURES

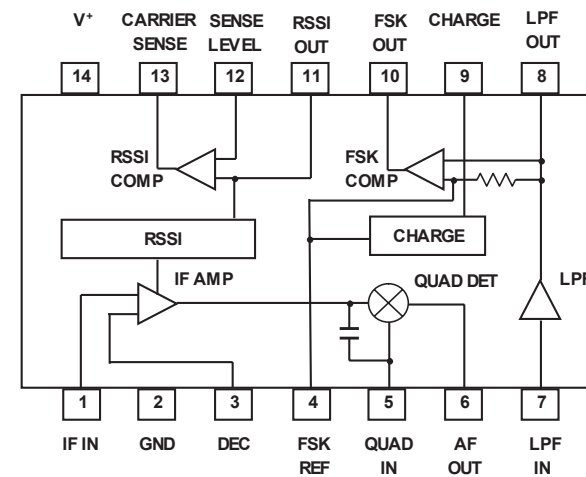
- Low Operating Voltage 1.6V to 5.5V
- Low Operating Current 550 μ A at V⁺=1.8V
- IF Input Frequency 455kHz (standard)
- RSSI Comparator
- Bipolar Technology
- Package Outline SSOP14

■ PACKAGE OUTLINE



NJM2590V

■ BLOCK DIAGRAM



New Japan Radio Co., Ltd.

May 10, 2004 NJR Corporation ver1