

SL 660 C & D

LOW POWER IF/AF PLL CIRCUIT FOR NARROW BAND FM

The SL660 is an IF amplifier, phase locked loop detector and squelch system for FM radio applications. Its minimal power consumption makes it ideal for hand-held and remote applications where battery conservation is important. The use of a PLL detector ensures superior signal-to-noise ratios in the detected output and excellent co-channel interference rejection.

The SL660 consists of a limiting IF amplifier with a bandwidth of 25MHz, a crystal oscillator and mixer for conversion to the second IF, a second IF amplifier, a PLL detector and a squelch system.

FEATURES

- High Sensitivity:
SL660C 5 μ V, SL660D 10 μ V
- Low Power 1.5mA at 6V Typical
- Purpose Designed for Narrow Band FM
- Low External Component Count
- Adjustable Squelch Control

APPLICATIONS

- Low Power IF/AF for Narrow Band FM
- Hand Held Radio
- Mobile Radio

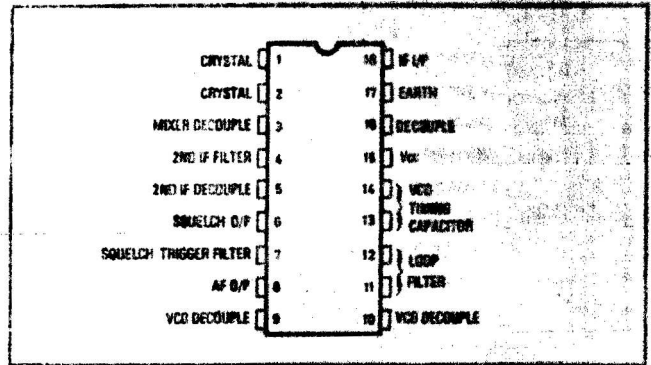


Fig. 1 Pin connections

QUICK REFERENCE DATA

- Performance at 6V 10.7MHz 1kHz Mod. ± 1.5 kHz Dev.
- Recovered Audio 50 mV rms
- SN 50dB (I/P 2mV)
- NF 10dB (50 Ω source)
- I/P dynamic range 120dB typically
- THD <3%

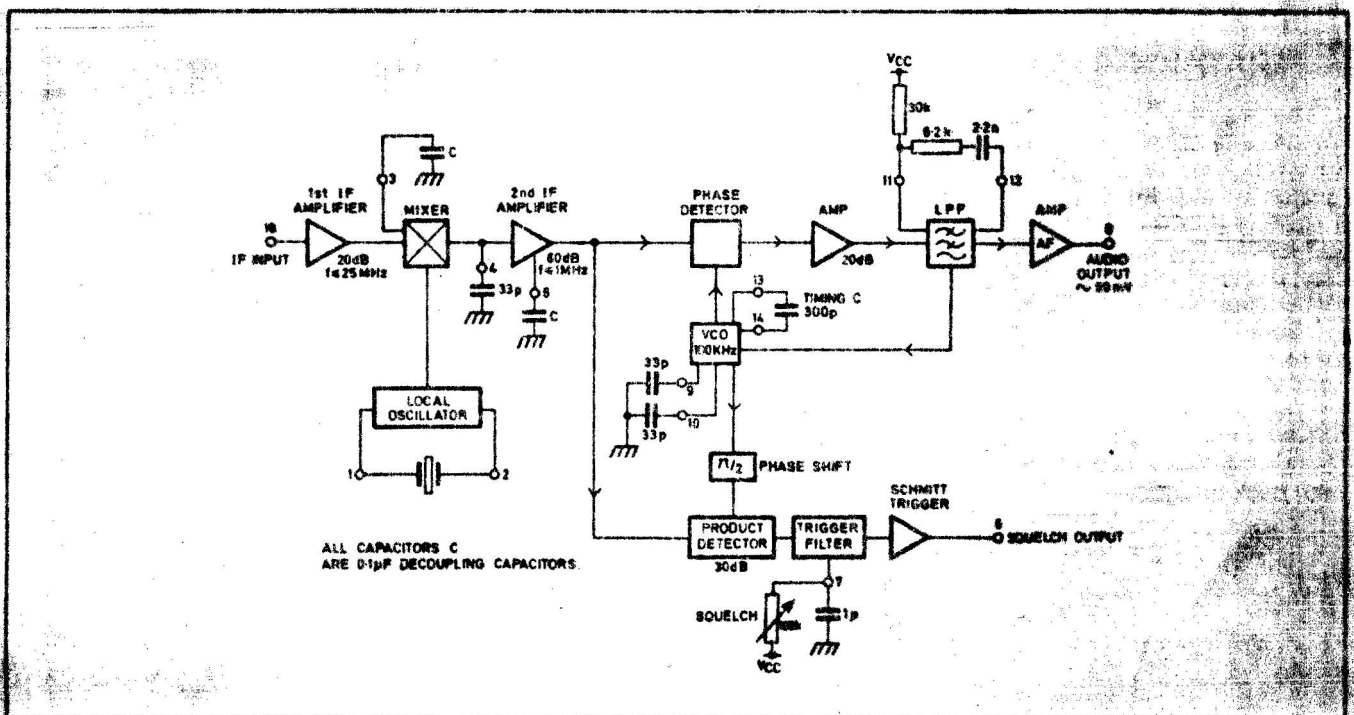


Fig. 2 Block diagram (with 100kHz 2nd IF)